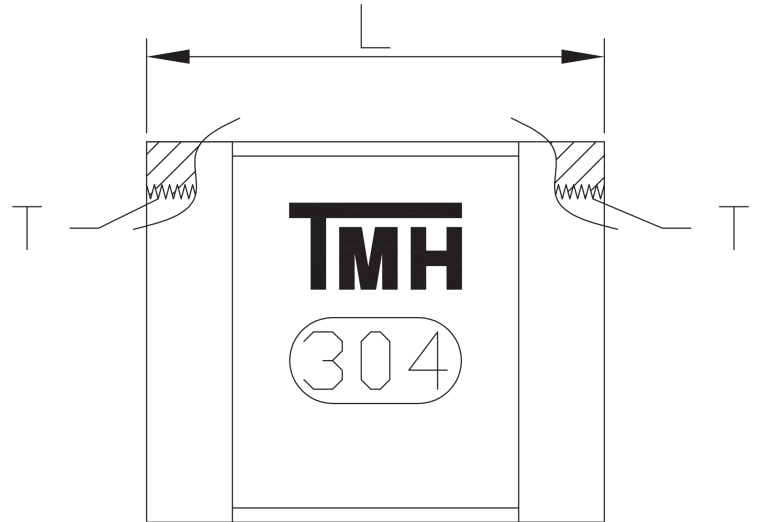


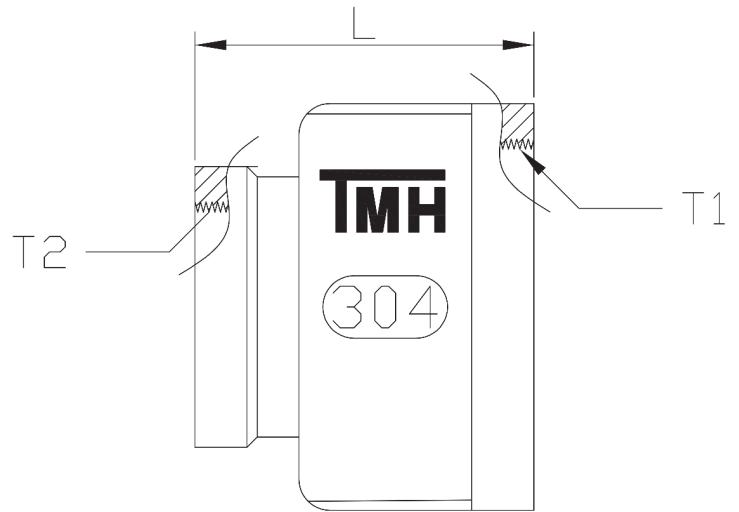
304/316 Stainless Steel Fitting



304/316 Socket

Specification	Model No.	L	Thread-BSPT				
1/4	AC10022	24.5	11.4				
3/8	AC10033	27.1	15				
1/2	AC10044	32.2	18.6				
3/4	AC10066	36.2	24.1				
1"	AC10110	41.9	30.3				
1-1/4"	AC10128	48	39				
1-1/2"	AC10150	50.9	44.9				
2"	AC10220	57.9	56.7				
2-1/2"	AC10250	57.9	72.2				
3"	AC10330	64.8	85.9				

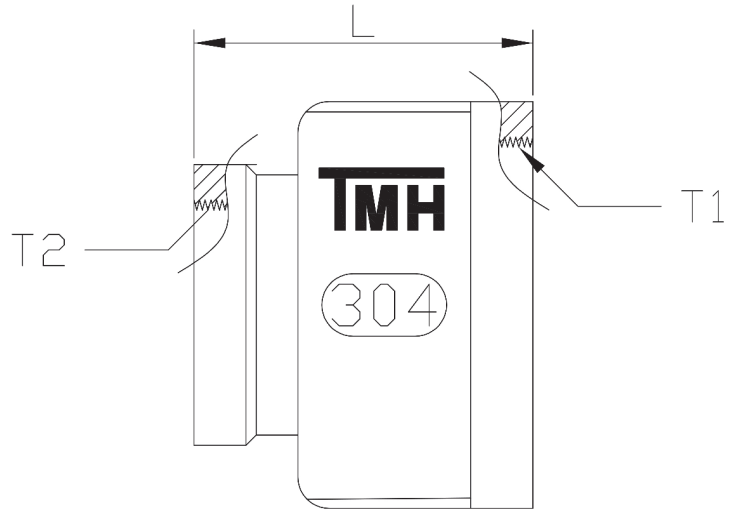
304/316 Stainless Steel Fitting



304/316 Reducing Socket

Specification	Model No.	L	Thread-BSPT.1	Thread-BSPT.2			
3/8*1/4	AC10032	30.1	15	11.4			
3/4*1/2	AC10064	32	24.1	18.6			
1*1/2	AC10104	32.5	30.3	18.6			
1*3/4	AC10106	32.5	30.3	24.1			
1-1/4*1/2	AC10124	33.5	39	18.6			
1-1/4*3/4	AC10126	36	39	24.1			
1-1/4*1	AC10127	44.8	39	30.3			
1-1/2*1/2	AC10144	36.5	44.9	18.6			
1-1/2*3/4	AC10146	35	44.9	24.1			
1-1/2*1	AC10147	42.5	44.9	30.3			
1-1/2*1-1/4	AC10148	39	44.9	39			

304/316 Stainless Steel Fitting



304/316 Reducing Socket

Specification	Model No.	L	Thread-BSPT.1	Thread-BSPT.2			
2*1/2	AC10204	39	56.7	18.6			
2*3/4	AC10206	39	56.7	24.1			
2*1	AC10210	46	56.7	30.3			
2*1-1/4	AC10212	48.1	56.7	39			
2*1-1/2	AC10214	48	56.7	44.9			

